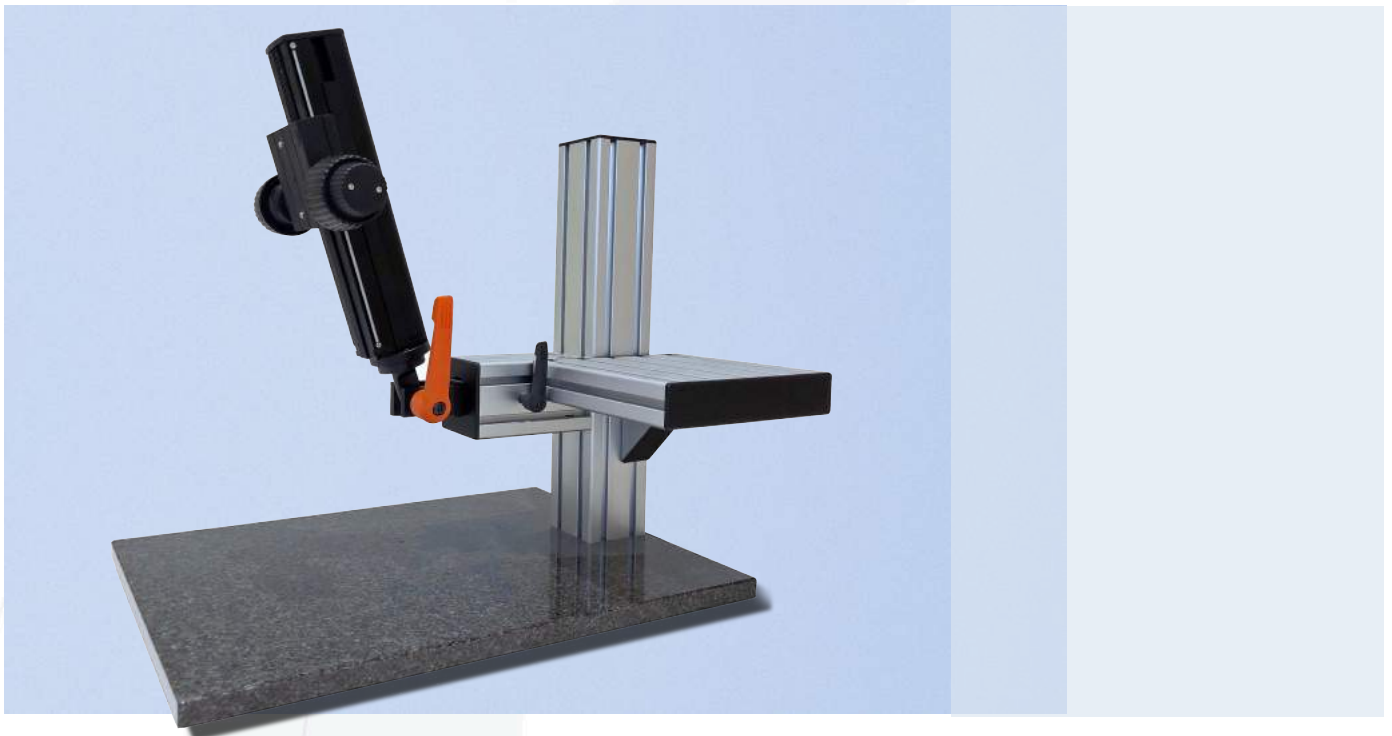


## Tilting Stand - for highly ergonomic Inspection with Leica Column Routine Granitstativ mit ergonomischer Schwenksäule für Leica Säule Routine



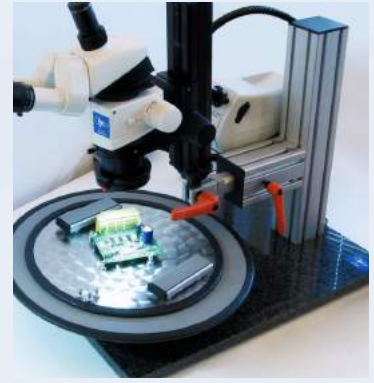
### Technical Features

Article number 043-600235 + 043-600235-02

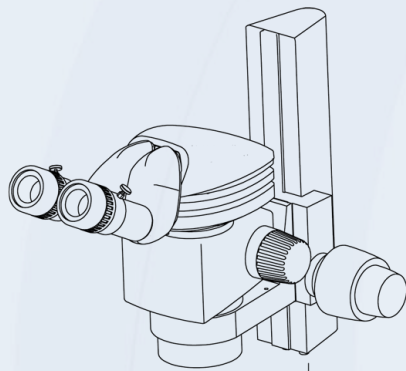
Granite plate dimension 400 x 550 x 20 mm  
Height 440 mm

#### Accessories

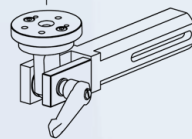
043-600225-54	Side tray for tilt stand, 200 x 200mm
043-631006	Tilting Table - Ø 300 mm - Vacuum
043-631003	Tilting Table - Ø 450 mm - Vacuum
043-631005	Tilting Table - Ø 400 mm - Granite
100-GS100-01	Gliding Stage - 100 x 100 mm
100-GS200-01	Gliding Stage - 200 x 200 mm
043-600235-02	Column adapter for Leica Focus Drive 10-450171



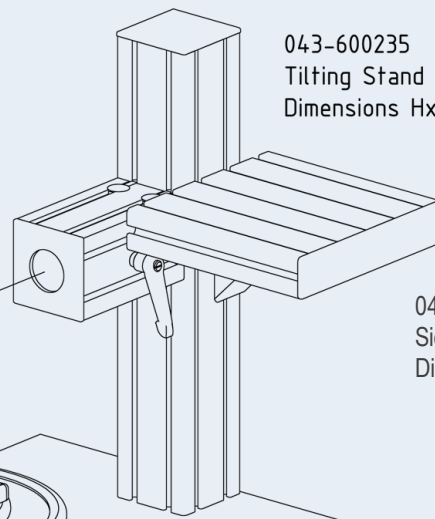
## Technical Accessories



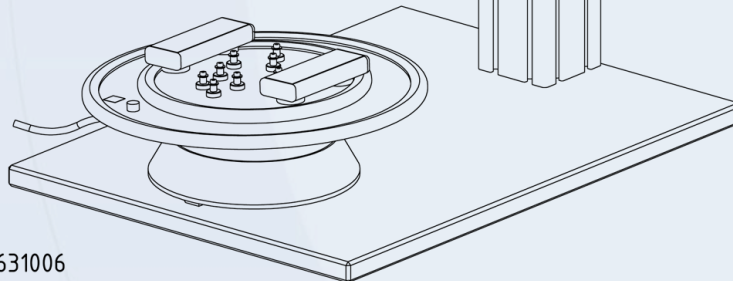
043-600235-02  
Column Adapter  
For Leica Routine



043-600225-54  
Side Tray  
Dimensions: 200x200mm



043-600235  
Tilting Stand  
Dimensions HxBxT: 440x400x500 mm



043-631006  
Tilting Table  
Diameter: 300 mm